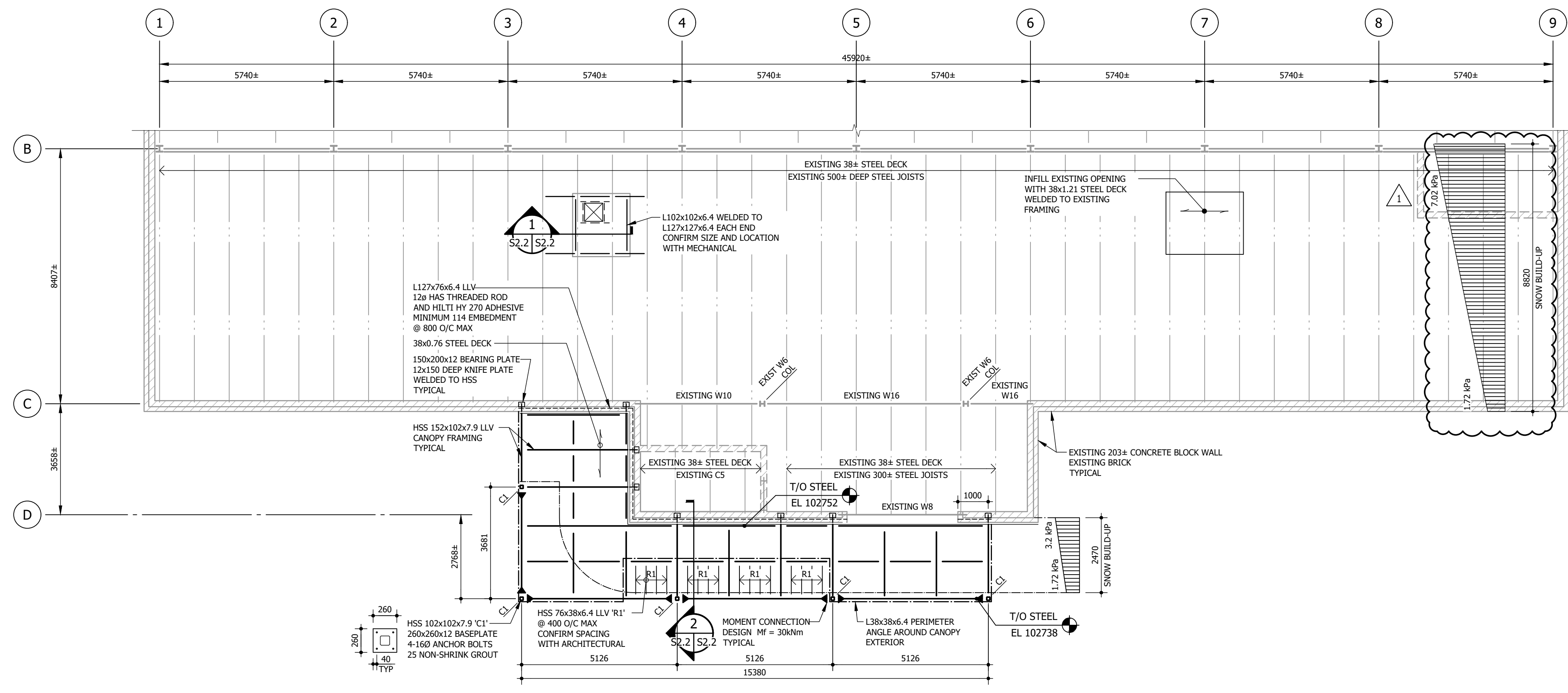
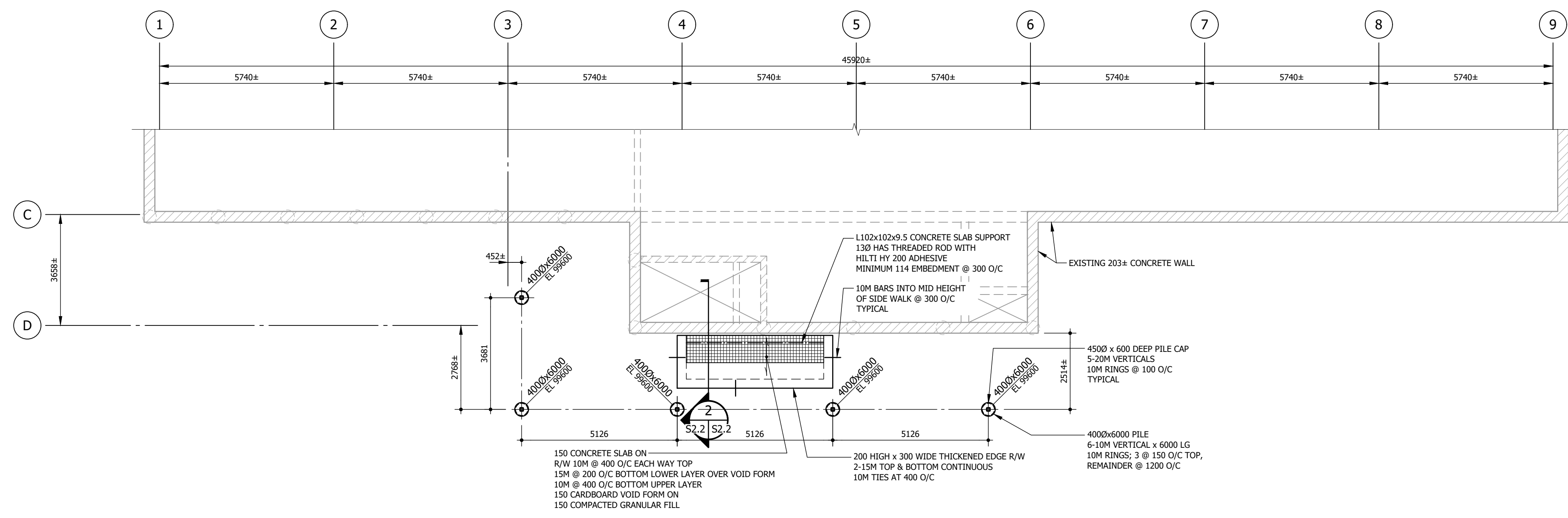
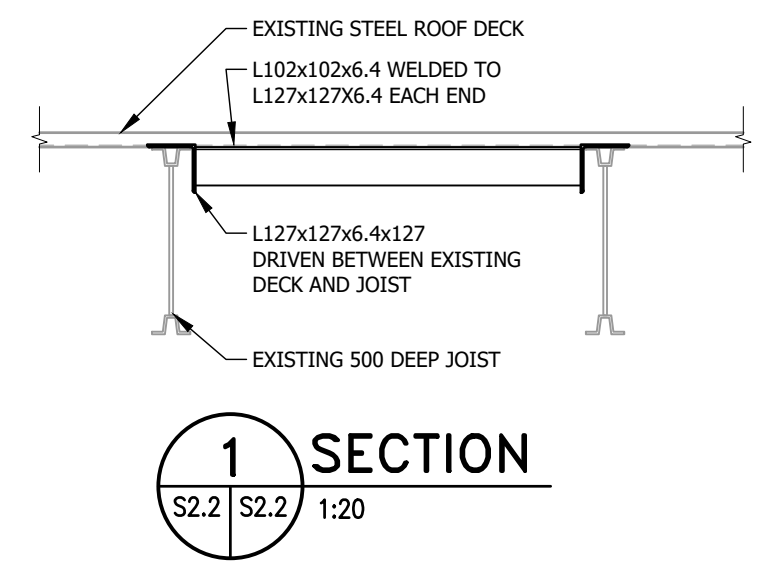


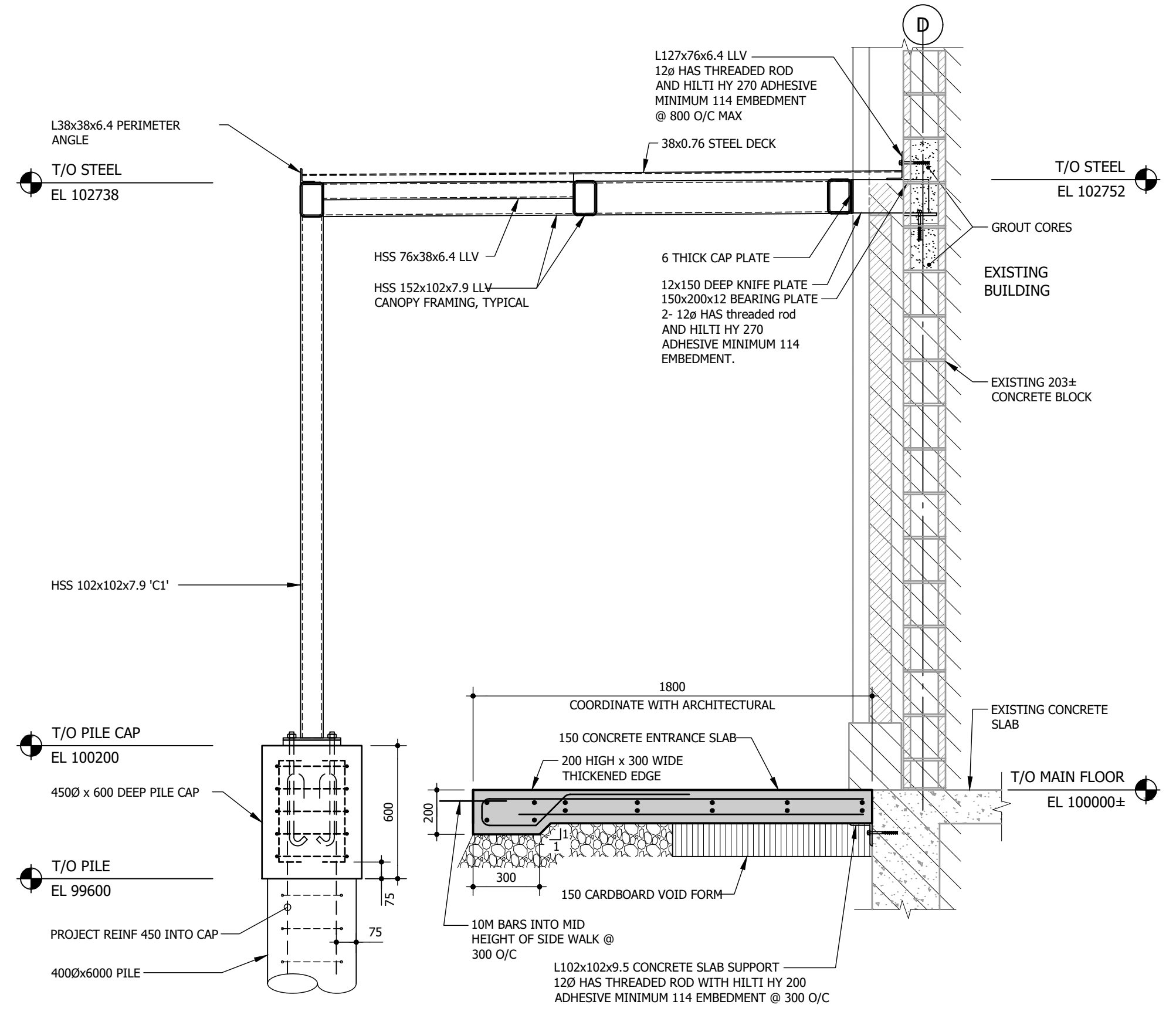
DRAWING SEALED BY
B. FLISAK
AND DATED
2023-12-21



CANOPY FRAMING PLAN
1 : 100
• DESIGN DEAD LOAD = 1.5 kPa
• DESIGN SNOW LOAD = 1.72 kPa + SNOW DRIFT NOTED ON PLAN
• ALL STRUCTURAL STEEL TO BE GALVANIZED



PARTIAL MAIN FLOOR/FOUNDATION FRAMING PLAN
1 : 100
• DESIGN LIVE LOAD = 4.8 kPa



SECTION 2
S2.2 | S2.2 | 1:20

No.	Date	Issue / Revision	By
1	2024-01-23	ISSUED FOR ADDENDUM 2	MSS
0	2023-12-21	ISSUED FOR CONSTRUCTION	MSS

Drawn By: CJM
Printing Date:

Drawings and specifications, as instruments of service are the property of the architects, the copyright in the same being reserved to them. No reproduction may be made without the permission of the architects, and when made, must bear their names. All prints to be returned.
The contractor is to verify dimensions and data noted herein with conditions on the site and is held responsible for reporting any discrepancy to the architects for adjustment.

LM Architectural Group
500-136 Market Ave
Winnipeg Manitoba Canada R3B 0P4
t: (204) 942.0681 f: (204) 943.8676
www.lm-architects.com

**CITY OF WINNIPEG
BONIVITAL POOL RENEWAL**

1215 ARCHIBALD ST., WINNIPEG, MB.

**CANOPY FRAMING
PLANS AND SECTIONS**